

8.4" Industrial Panel PC

PPC-3708A-N26

Intel® Atom™ N2600 Dual-Core Processor

PPC-3708A-N270

Intel® Atom™ N270 Processor



Features

- 8.4" 450 nits high brightness TFT LCD with LED backlight
- Dual Ethernet provides continuous network service and allows sharing among different workgroups in two different subnets
- Robust aluminum front bezel and metal casing
- IP 66 compliant front panel
- IEI One Key Recovery solution allows you to create rapid OS backup and recovery (over 4GB storage capacity suggested)



Specifications

| Model | | PPC-3708A-N26 | PPC-3708A-N270 |
|------------------------|---------------------------------|---|---|
| Display | LCD Size | 8.4" | |
| | Max Resolution | 800(W) x 600(H) | |
| | Brightness (cd/m ²) | 450 | |
| | Contrast Ratio | 600:1 | |
| | LCD Color | 262K | |
| | Pixel Pitch (mm) (HxV) | 0.213(H) x 0.213(V) | |
| | Viewing Angle (V/H) | 140°/160° | |
| | Backlight MTBF (hrs) | 50000 (LED backlight) | |
| Touch | Touchscreen | 4-wire resistive type with RS-232 interface | |
| | Touch Controller | EETI MBMER4040CPBG | |
| Motherboard | SBC | NANO-CV-N26001 | NANO-945GSE-N270 |
| | CPU | Intel® Atom™ N2600 dual-core processor 1.6GHz | Intel® Atom™ N270 1.6GHz CPU |
| | Chipset | Intel® NM10 | |
| | RAM | One 204-pin SO-DIMM socket, supporting DDR3 800MHz module for up to 2GB | One 200-pin SO-DIMM socket, supporting DDR3 800MHz module for up to 2GB |
| | Ethernet | Realtek RTL8111E PCIe GbE controller supporting ASF 2.0 | Realtek RTL8111E PCIe GbE controller supporting ASF 2.0 |
| | Audio Codec | Realtek ALC662 HD audio codec | |
| I/O Ports and Switches | | 2 x RS-232 1 x RS-422/485 2 x RJ-45 for LAN port 2 x USB 3.0 2 x USB 2.0 1 x HDMI 1 x VGA port 1 x Line-in, Line-out, Mic-in 1 x 12 V DC power input jack 1 x Power switch | 2 x RS-232 1 x RS-232 (alternative to RS-422/485) 2 x RJ-45 for LAN port 2 x USB 2.0 1 x VGA port 1 x Line-in, 1 x Line-out, 1 x Mic-in 1 x PS/2 mouse and keyboard interface 1 x 12 V DC power input jack 1 x Power switch |
| | | | |
| Drive Bay | HDD Driver Bay | 1 x 2.5" SATA HDD bay | |
| | SSD | 1 x mSATA (SATA2 signal) | CF Type II |
| Expansion Slot | | 1 x PCIe Mini card | 1 x PCIe Mini card |
| | | | |
| Physical | Front Panel Construction | Aluminum die-casting | |
| | Chassis Construction | Heavy-duty steel (SECC) | |
| | Mounting | Panel, wall, rack, stand and arm (VESA 100 mm x 100 mm) | |
| | Front Panel Color | Silver (Pantone 8001C) | |
| | Dimensions (WxHxD) (mm) | 244 x 175 x 86.5 | 244 x 178 x 80.2 |
| | Cut Out Dimensions (WxH) (mm) | 233 x 167 | 233 x 167 |
| | Net/Gross Weight | 2.2 kg / 4.4 kg | 2.2 kg / 4.4 kg |
| System Cooling | | Fanless | |
| | | | |
| Environment | Operating Temperature | -10°C ~ 50°C | -10°C ~ 50°C |
| | Storage Temperature | -20°C ~ 60°C | |
| | IP Rating | IP66 compliant front panel | |
| | Vibration | 5~17Hz, 0.1 double amplitude displacement 17~640Hz 1.5G acceleration peak to peak | |
| | Shock | 10G acceleration part to part (11ms) | |
| Power Supply | Power Adapter | P/N: 63040-010060-110-RS 60W power adapter (Meets PSE) Input: 90VAC~264VAC, 50/60Hz Output: 12VDC | P/N: 63040-010060-110-RS 60W power adapter (Meets PSE) Input: 90VAC~264VAC, 50/60Hz Output: 12VDC |

Versatile Mounting Methods



Wall Mount



Stand



Panel Mount



Rack Mount



Ordering Information

| Part No. | Description |
|--|---|
| Intel® Atom™ N2600 PPC-3708A-N26/R/2G-R12* | 8.4" 450 cd/m ² SVGA panel PC with Intel® Atom™ N2600 1.6GHz processor, 2GB DDR3 RAM, touchscreen, 9 V~28 V DC input, RoHS |
| Intel® Atom™ N270 PPC-3708A-N270/R/1G-R23 | 8.4" 450 cd/m ² SVGA panel PC with Intel® Atom™ N270 1.6GHz/ 512KB L2 cache processor, 1GB DDR2 RAM, touchscreen, 12 V DC input, R23, RoHS |

* PPC supports 9-28V DC input with 4-pin DC jack. Standard product includes 12V DC adapter. For terminal block solution, please contact sales team.

Packing List

| Item | Part No. | Description |
|-----------------------------------|---------------------|---|
| Screw Kit | 19600-000205-RS | |
| Power Cord | 63040-010060-040-RS | European standard, 1830 mm, plug (16A, 250V), connector (10A, 250V) |
| Power Adapter | 63040-010060-110-RS | 60W, 90VAC~264VAC for PPC-3708A-N270 & PPC-3708A-N26 |
| PS/2 Cable | 32006-000300-100-RS | 1 x MINI DIN 6-pin male; 2 x MINI DIN 6-pin female |
| Panel Mounting Kit | 19Z00-000026-RS | 19Z00-000026-RS x8 |
| Wall Mounting Kit | 41014-057602-00-RS | Ultra set plate |
| | 41020-016102-00-RS | Wall mount bracket |
| IEI One Key Recovery CD | IEI-7B000-000478-RS | |
| Touchscreen Driver CD / Touch Pen | | |
| User Manual & Driver CD | | |

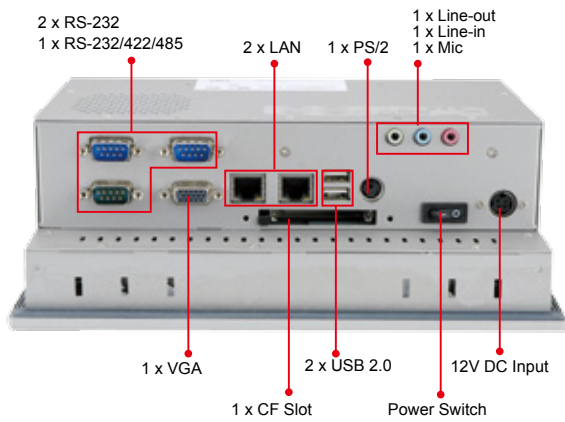
IQ Mounting Options

| Item | Part No. |
|-------|--------------|
| Arm | ARM-11-RS |
| Stand | STAND-100-RS |

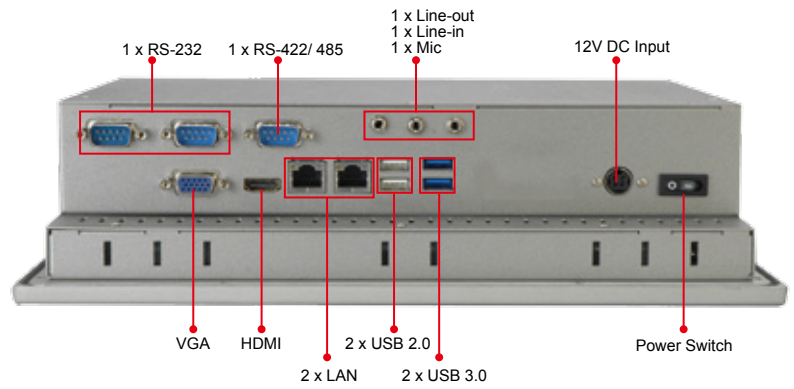
Options

| Item | Part No. | Description |
|------------------|---------------------|--|
| RS-422/485 Cable | 32205-004900-100-RS | (A) D-sub 9-pin male (B) DU PONT 2*7P, P=2.0, female |
| HDD IDE Cable | 32221-000200-100-RS | 100 mm, IDE 44-pin |
| Wi-Fi Module | PPC-WL-KIT02-R10 | Wi-Fi module with RF cable and antenna, 2T2R, 802.11b/g/n for PPC-37xxA-N26 series (Telec certified) |

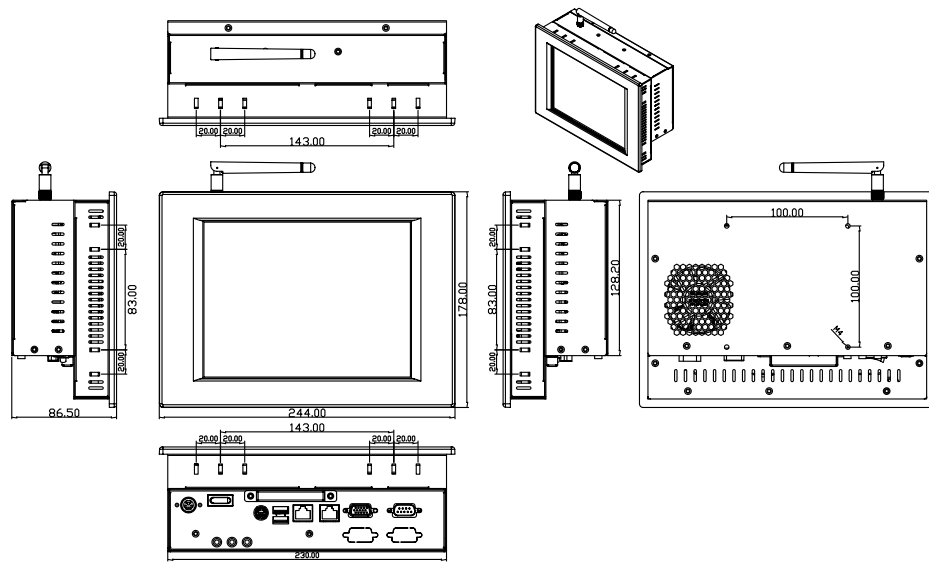
PPC-3708A
Fully Integrated I/O



PPC-3708A-N26
Fully Integrated I/O



PPC-3708A
Dimensions
(Unit: mm)



PPC-3708A-N26
Dimensions
(Unit: mm)

